


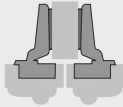

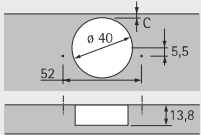
## Fast assembly concealed hinge

- ▶ Intermat 9935 for profile doors up to 43 mm thick
- ▶ Opening angle 95°



- ▶ Concealed hinge with clip on assembly
- ▶ Quality grades to EN 15570, Level 2
- ▶ For door thickness 16 – 43 mm
- ▶ Cup diameter 40 mm
- ▶ Cup depth 13.7 mm
- ▶ Integrated overlay adjustment + 0.5 mm / - 3 mm
- ▶ Integrated depth adjustment 4 mm
- ▶ Height adjustment at mounting plate
- ▶ Material of hinge arm: Zinc die-cast nickel-plated
- ▶ Material of hinge cup: Zinc die-cast nickel-plated

### Intermat 9935, opening angle 95°

		Overlay	Half overlay	Inset
Cup assembly	Drilling pattern	 Basis B 18 mm (Cranking - 5 mm)	 Basis B 8 mm (Cranking 5 mm)	 Basis B - 3 mm (Cranking 16 mm)
Screw on type TH 22		9 155 241 *	9 155 242 *	9 155 243

# Fast assembly concealed hinge

- ▶ **Intermat 9935 for profile doors up to 43 mm thick**
- ▶ **Opening angle 95°**

## Minimum reveal per door

Door thickness mm	Cup distance C mm									
	3.0	4.0	4.5	5.0	6.0	7.0	8.0	9.0	10.0	11.0
26	0.9	0.9	0.9	0.9	0.9	0.9	0.9	0.9	0.9	0.8
27	1.1	1.1	1.1	1.1	1.1	1.1	1.0	1.0	1.0	1.0
28	1.3	1.3	1.3	1.3	1.3	1.2	1.2	1.2	1.2	1.2
29	1.5	1.5	1.5	1.5	1.5	1.4	1.4	1.4	1.4	1.4
30	1.7	1.7	1.7	1.7	1.7	1.6	1.6	1.6	1.6	1.6
31	2.0	2.0	1.9	1.9	1.9	1.9	1.8	1.8	1.8	1.8
32	2.3	2.2	2.2	2.2	2.1	2.1	2.1	2.1	2.0	2.0
33	3.1	2.5	2.5	2.5	2.4	2.4	2.3	2.3	2.3	2.2
34	4.1	3.4	3.0	2.7	2.7	2.7	2.6	2.6	2.5	2.5
35	5.0	4.3	4.0	3.7	3.0	3.0	2.9	2.9	2.8	2.8
36	6.0	5.3	4.9	4.6	4.0	3.4	3.2	3.2	3.1	3.1
37	7.0	6.2	5.9	5.5	4.9	4.3	3.7	3.5	3.4	3.4
38	7.9	7.2	6.8	6.5	5.8	5.2	4.6	4.1	3.8	3.7
39	8.9	8.1	7.8	7.4	6.7	6.1	5.5	5.0	4.5	4.1
40	9.9	9.1	8.7	8.4	7.7	7.0	6.4	5.8	5.3	4.8
41	10.9	10.1	9.7	9.3	8.6	8.0	7.3	6.7	6.2	5.7
42	11.9	11.1	10.7	10.3	9.6	8.9	8.3	7.7	7.1	6.6
43	12.8	12.0	11.7	11.3	10.5	9.8	9.2	8.6	8.0	7.4

Please note:

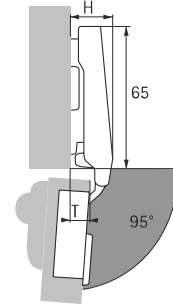
The values in the table refer to doors with an edge radius of 1 mm.

On doors with other radii, the minimum reveal changes as follows:

Radius 0 mm:  
Value in table + 0.4 mm

Radius 3 mm:  
Value in table + 0.8 mm

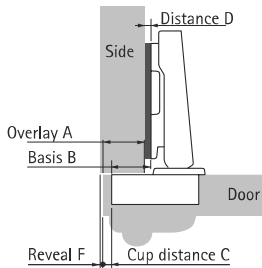
## Protrusions / installation depth



Hinge protrusion H / door protrusion T for distance D = 0 mm and cup distance C = 3 mm

Door-mounting option	H mm	T mm
Overlay	20.0	10.5
Half overlay	30.0	20.5
Inset	41.0	31.5

## Overlay

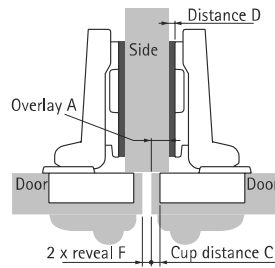


$$\text{Distance D} = \text{C} + \text{B} - \text{A}$$

$$= \text{cup distance C} + 18 \text{ mm} - \text{overlay A}$$

Overlay mm	Cup distance C mm									
	3.0	4.0	4.5	5.0	6.0	7.0	8.0	9.0	10.0	11.0
12	9.0	10.0	10.5	11.0	12.0	13.0	14.0	15.0	16.0	17.0
13	8.0	9.0	9.5	10.0	11.0	12.0	13.0	14.0	15.0	16.0
14	7.0	8.0	8.5	9.0	10.0	11.0	12.0	13.0	14.0	15.0
15	6.0	7.0	7.5	8.0	9.0	10.0	11.0	12.0	13.0	14.0
16	5.0	6.0	6.5	7.0	8.0	9.0	10.0	11.0	12.0	13.0
17	4.0	5.0	5.5	6.0	7.0	8.0	9.0	10.0	11.0	12.0
18	3.0	4.0	4.5	5.0	6.0	7.0	8.0	9.0	10.0	11.0
19	2.0	3.0	3.5	4.0	5.0	6.0	7.0	8.0	9.0	10.0
20	1.0	2.0	2.5	3.0	4.0	5.0	6.0	7.0	8.0	9.0
21	0.0	1.0	1.5	2.0	3.0	4.0	5.0	6.0	7.0	8.0
22		0.0	0.5	1.0	2.0	3.0	4.0	5.0	6.0	7.0
23				0.0	1.0	2.0	3.0	4.0	5.0	6.0
24					0.0	1.0	2.0	3.0	4.0	5.0
25						0.0	1.0	2.0	3.0	4.0
26							0.0	1.0	2.0	3.0
27								0.0	1.0	2.0
28									0.0	1.0
29										0.0

## Half overlay

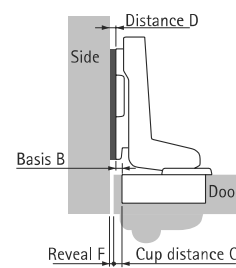


$$\text{Distance D} = \text{C} + \text{B} - \text{A}$$

$$= \text{cup distance C} + 8 \text{ mm} - \text{overlay A}$$

Overlay mm	Cup distance C mm									
	3.0	4.0	4.5	5.0	6.0	7.0	8.0	9.0	10.0	11.0
2	9.0	10.0	10.5	11.0	12.0	13.0	14.0	15.0	16.0	17.0
3	8.0	9.0	9.5	10.0	11.0	12.0	13.0	14.0	15.0	16.0
4	7.0	8.0	8.5	9.0	10.0	11.0	12.0	13.0	14.0	15.0
5	6.0	7.0	7.5	8.0	9.0	10.0	11.0	12.0	13.0	14.0
6	5.0	6.0	6.5	7.0	8.0	9.0	10.0	11.0	12.0	13.0
7	4.0	5.0	5.5	6.0	7.0	8.0	9.0	10.0	11.0	12.0
8	3.0	4.0	4.5	5.0	6.0	7.0	8.0	9.0	10.0	11.0
9	2.0	3.0	3.5	4.0	5.0	6.0	7.0	8.0	9.0	10.0
10	1.0	2.0	2.5	3.0	4.0	5.0	6.0	7.0	8.0	9.0
11	0.0	1.0	1.5	2.0	3.0	4.0	5.0	6.0	7.0	8.0
12		0.0	0.5	1.0	2.0	3.0	4.0	5.0	6.0	7.0
13				0.0	1.0	2.0	3.0	4.0	5.0	6.0
14					0.0	1.0	2.0	3.0	4.0	5.0
15						0.0	1.0	2.0	3.0	4.0
16							0.0	1.0	2.0	3.0
17								0.0	1.0	2.0
18									0.0	1.0
19										0.0

## Inset



$$\text{Distance D} = \text{C} + \text{B} + \text{F}$$

$$= \text{cup distance C} - 3 \text{ mm} + \text{reveal F}$$

Door thickness mm	Cup distance C mm									
	3.0	4.0	4.5	5.0	6.0	7.0	8.0	9.0	10.0	11.0
26	0.9	1.9	2.4	2.9	3.9	4.9	5.9	6.9	7.9	8.8
27	1.1	2.1	2.6	3.1	4.1	5.1	6.0	7.0	8.0	9.0
28	1.3	2.3	2.8	3.3	4.3	5.2	6.2	7.2	8.2	9.2
29	1.5	2.5	3.0	3.5	4.5	5.4	6.4	7.4	8.4	9.4
30	1.7	2.7	3.2	3.7	4.7	5.6	6.6	7.6	8.6	9.6
31	2.0	3.0	3.4	3.9	4.9	5.9	6.8	7.8	8.8	9.8
32	2.3	3.2	3.7	4.2	5.1	6.1	7.1	8.1	9.0	10.0
33	3.1	3.5	4.0	4.5	5.4	6.4	7.3	8.3	9.3	10.2
34	4.1	4.4	4.5	4.7	5.7	6.7	7.6	8.6	9.5	10.5
35	5.0	5.3	5.5	5.7	6.0	7.0	7.9	8.9	9.8	10.8
36	6.0	6.3	6.4	6.6	7.0	7.4	8.2	9.2	10.1	11.1
37	7.0	7.2	7.4	7.5	7.9	8.3	8.7	9.5	10.4	11.4
38	7.9	8.2	8.3	8.5	8.8	9.2	9.6	10.1	10.8	11.7
39	8.9	9.1	9.3	9.4	9.7	10.1	10.5	11.0	11.5	12.1
40	9.9	10.1	10.2	10.4	10.7	11.0	11.4	11.8	12.3	12.8
41	10.9	11.1	11.2	11.3	11.6	12.0	12.3	12.7	13.2	13.7
42	11.9	12.1	12.2	12.3	12.6	12.9	13.3	13.7	14.1	14.6
43	12.8	13.0	13.2	13.3	13.5	13.8	14.2	14.6	15.0	15.4

## Advice

For mounting plates and accessories, see page 64 – 67, 122 – 128

For optional Silent System and Push to open opening system, see page 130 – 131, 140 – 141

For mounting options, assembly information, installation instructions and quality criteria, see page 178 – 186, 209