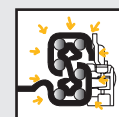


# Full-extension for wooden drawers with grooved frame

## Quadro V6 Silent System

Load capacity 30 kg



- **Slide-on assembly** – simply place the drawer on the slides and push home
- Silent System – the integrated dampened closure mechanism lets drawers close gently and quietly
- The integrated roll-out prevention stops accidental opening
- Perfect vertical and lateral stability. The robust, resilient tracks ensure optimal slide action through precision-guided steel balls.
- Maintenance-free through self-cleaning ball tracks
- Flexibility through interchangeability – swap between Quadro partial and full-extension slides without changing cabinet, drawer or front panel dimensions!

Nominal length/drawer length mm	Hole spacing b1 mm	Min. cabinet depth mm	Order no. PU 1 set	PU 10 sets
280	160	293	0 045 284	9 080 224
300	192	313	0 045 285	9 080 225
320	192	333	0 045 286	9 080 226
350	192	363	0 045 287	9 080 231
380	224	393	0 045 288	9 080 232
400	224	413	0 045 289	9 080 233
420	224	433	0 045 290	9 080 234
450	256	463	0 045 291	9 080 235
480	256	493	0 045 292	9 080 236
500	288	513	0 045 293	9 080 237
520	288	533	0 045 294	9 080 238
550	288	563	0 045 295	9 080 239
580	352	593	0 045 296	9 080 240
600	352	613	0 045 297	9 080 241



### Catch for wooden drawers

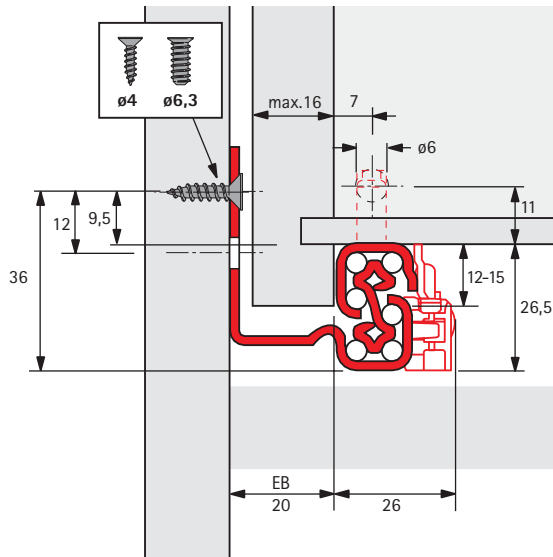
- For safely connecting the Quadro extension and wooden drawer without the aid of tools (slide-on assembly)
- Infinite height adjustment up to + 2 mm via a knurled wheel (toolless)
- The set height is retained when the drawer is dismantled
- Details see page 5.4.12
- Black plastic




Article	Order no.	PU
Catch left	0 075 806	100
Catch right	0 075 807	100
Set left/right	9 058 303	1/5 sets

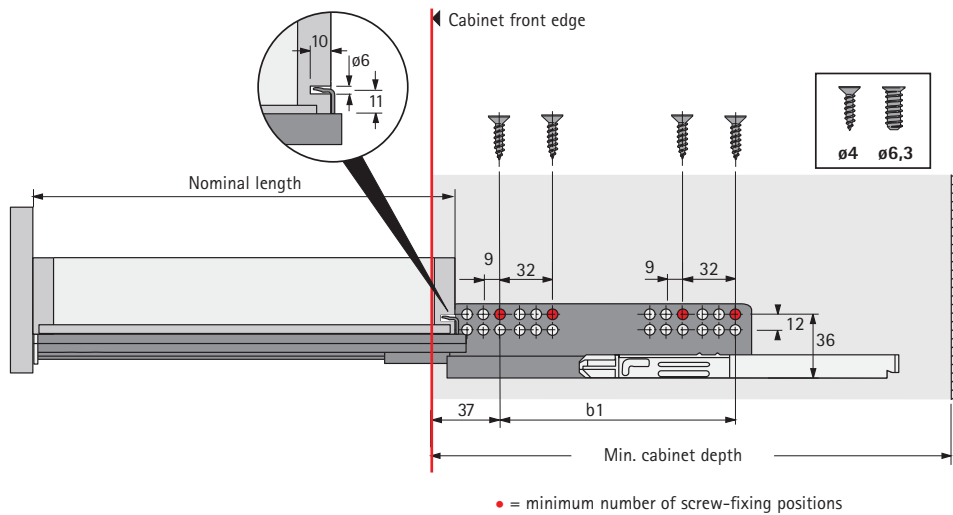
Pull-out combination system for front and inside drawer see group 9.1  
 Catch for pull-out shelves/wooden drawers with flush bottom see page 5.4.13  
 Solid wood drawer insert Variario see page 5.4.14 - 5.4.15  
 Processing technology see group 2



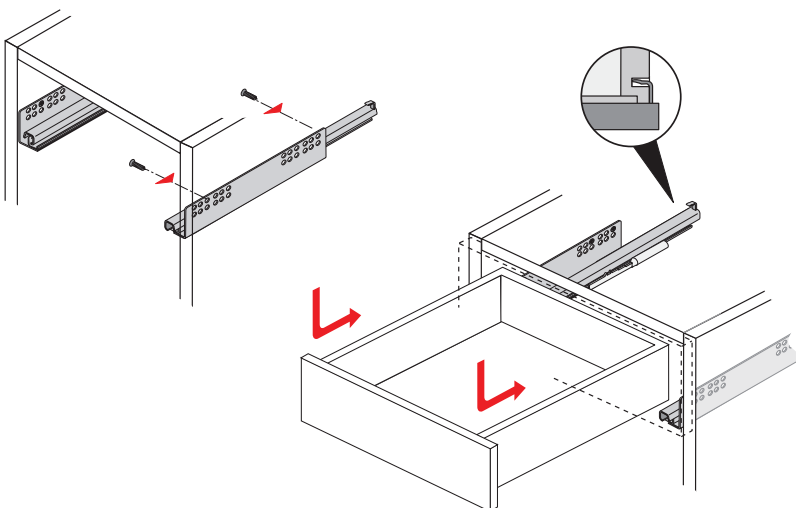
# Full-extension for wooden drawers with grooved frame Quadro V6 Silent System Load capacity 30 kg



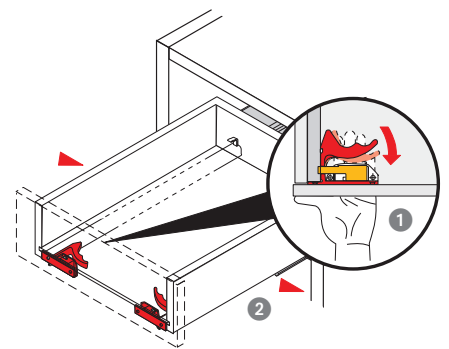
	Dimensions mm	Order no.	PU
	6,3 x 10,5	0051 264	200
	6,3 x 14	0051 265	200
	4,0 x 16	0010 085	200



## Assembly



## Disassembly



## Accessories

### Quadro V6 Silent System/Quadro V6

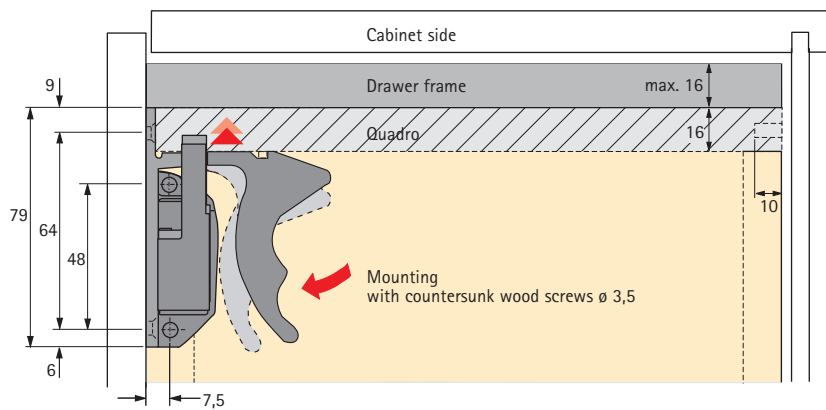
### Quadro 30 Silent System/Quadro 30



#### Catch for wooden drawers

- For safely connecting the Quadro extension and wooden drawer without the aid of tools (slide-on assembly)
- Infinite height adjustment up to + 2 mm via a knurled wheel (toolless)
- The set height is retained when the drawer is dismantled
- Black plastic

Article	Order no.	PU
Catch left	0 075 806	100
Catch right	0 075 807	100
Set left/right	9 058 303	1/5 sets



#### Fixing options



Three-sided wooden drawer



Four-sided wooden drawer



Internal pot-and-pan drawer

#### Stepless height adjustment of +2 mm

